



欢迎

欢迎来到飞利浦世界！您能选择和购买飞利浦的产品，我们非常高兴。您可在我们的官方网站上获得飞利浦公司的全方位技术支持，如：使用手册、软件下载、保修信息等。

www.philips.com

产品特点

本产品是集成视频与音频特性于一体的智能化摄录设备。采用专业音视频处理技术，具有超高清画质、通话清晰自然、操作简单等优势，让您从此告别复杂的会议模式，享受简单高效的优质会议体验。

- 采用全高清玻璃镜头，有效像素达800万。
- 采用1/2.8英寸优质传感器。
- 图像清晰、流畅，分辨率达4K/30帧。
- 大视角范围，水平视角达88°。
- 声音自动定位，根据声音位置自动调整摄像头方向，让你无时无刻不在关键位置。
- 根据参会人员视线位置与环境，可以调节摄像头高度和方向，让你始终保持最佳的拍摄角度。
- 支持（AF）自动对焦调节。
- 采用优质扬声器，音效饱满、通透。
- 采用4麦克风阵列，拾音距离可达6m。
- 便携可移动，内置大容量锂电池。
- 支持遥控器，通过遥控器远程控制开关机，焦距调节，镜头旋转，静音等功能。
- 支持免驱设计，USB即插即用。

安全信息

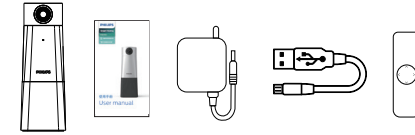
在使用和操作设备前，为确保设备性能最佳，并避免出现危险或非法情况，请遵循各项电气安全规定和适用的法律。

注意

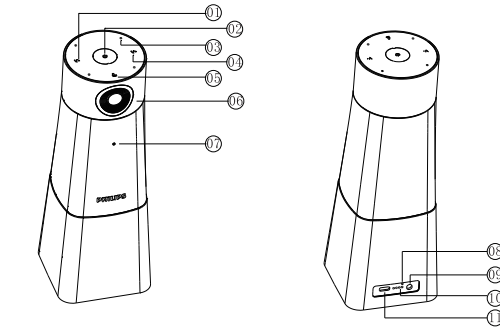
- 设备在工作时，请不要用手去旋转镜头或按压摄像头，否则会导致设备损坏。
- 请不要用手或者其它物品接触摄像头的镜头玻璃表面，可能会弄脏或者损伤镜头，影响摄像头的成像效果。

您的设备

设备包含



主机预览



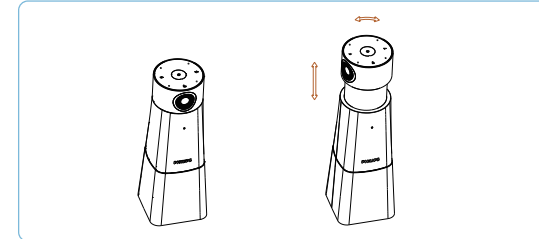
- ① 音量-键
- ② 开机键
- ③ 麦克风
- ④ 音量+键
- ⑤ 静音键
- ⑥ 摄像头

- ⑦ 指示灯
- ⑧ 复位键
- ⑨ 电源插口
- ⑩ 电量指示灯
- ⑪ Type-c接口

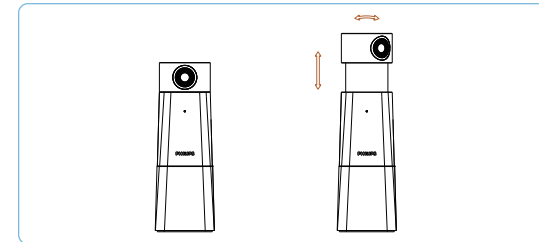
设置说明

摄像头的用法

摄像头可以调节垂直升降和水平转动：



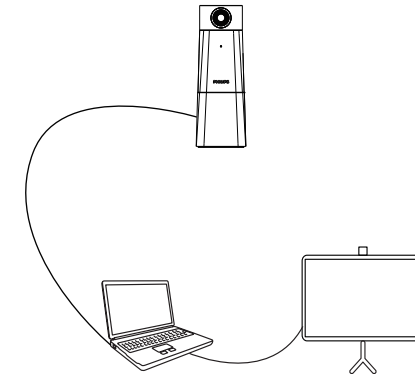
摄像头可按需求调整到合适位置，方便拍摄更优质画面：



注意

- 为了确保设备的使用效果，请不要遮挡麦克风，或者把设备放置在周围有物品遮挡的位置，否则将影响智能声源定位的使用效果。
- 红外遥控接收窗口，不能被物品遮挡，否则可能导致遥控器无法正常使用。
- 建议使用Windows 7/Android 7.1及以上版本系统，较低版本系统可能需要安装USB万能驱动，同时兼容性可能会比较差，从而影响PSE0550使用效果。
- PSE0550最多可以预设3个位置，短按遥控器上的数字键，摄像头调整到之前设置的指定位置。

扩展使用



温馨提示

- 获取PC端视讯软件请登录并下载路径：
download.szgps.net/SmartMeeting/SmartMeeting.exe
- 了解更多使用操作，请访问：
<http://www.jwd-dvr.com/service/download.html>

Service Service
Service GUARANTEE

This guarantee card is valid in china
This guarantee card should berained by
The USER
此保用卡在中国适用，用户请保留此卡。



此产品是一件设计精良，有高品质原件制造之数码产品，在正确使用及保养下应能正确地表现其优越性能。
自购买日期始，整机保修一年。关于主要部件保修期限，按照国家消费法规定执行。多功能视讯设备中国区总经销（深圳市京华数码科技有限公司）将按下列保用条款持卡用户提供免费保修服务。

保用条例：

保用服务只限于一般正常使用下有效。一切人为损坏，例如接入不适当电源，使用不适当配件，不依说明书使用，因运输及其他意外而造成之损坏，非经本公司认可之维修和改装，用于商业及工业目的造成产品损坏，错误使用或疏忽而造成损坏，不适当之安装或因天灾造成损坏等，保用服务立刻失效。此保用服务并不包括附件，辅助装置，运输费。维修时请带上此卡及正本发票。

User's Name: 用户姓名..... Address: 地址..... Tel.No: 电话..... Post Code: 邮编.....	Model No: 型号..... Serial No: 机身编号..... Product Place: 产地.....
Company Seal: 购买商品印章..... Date of Purchase: 购买日期.....	Invoice No: 发票号..... Shop name and address: 购买商名称及地址..... Tel.No/Post Code: 电话/邮编.....

产品服务热线：400 800 7890



Specifications subject to change without notice.

Trade marks are the property of Royal Philips or their respective owners.

© 2021 Speech Processing Solutions GmbH.All rights reserved.Philips and the Philips' shield emblem are registered trademarks of Koninklijke Philips N.V.and are used by Speech Processing Solutions GmbH under license from Koninklijke Philips N.V.All trademarks are the property of their respective owners.
Document version 1.0,2021-5-24



Welcome

Welcome to the world of Philips! We are delighted that you choose and buy Philips products. You can have access to full set of technical support on Philips official website, such as user manuals, software downloads, and guarantee information, etc.

www.philips.com

Product Features

This smart A/V recording device uses high quality technology for ultra HD images, clear audio quality and easy-to-use operation.

- Full HD glass lens with effective pixels up to 8 million.
- 1/2.8-inch high-quality sensor.
- Clear and smooth image with a resolution of 4K/30fps.
- Wide visual angle with up to 88°.
- Automatic sound positioning that automatically adjusts the camera direction according to the sound position, allowing you to always stay in the picture.
- The camera can be adjusted on the horizontal & vertical level to always secure the best video & audio experience.
- Auto focus (AF)
- Highend quality speakers for best audio experience.
- 4-microphone array with up to 6m audio pick up.
- Built-in lithium battery for long run time.
- Remote control for easy control.
- Easy set up via USB interface - fully plug & play.

Safety Information

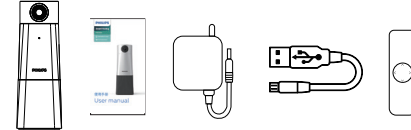
Please abide by all regulations and applicable law on electric safety when using and operating this equipment in order to ensure the best performance of the equipment and avoid dangers or illegal situations.

Attention

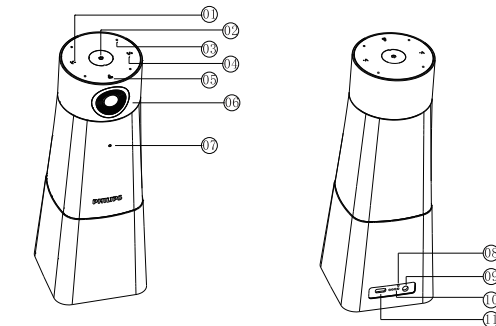
- When the device is on, please do not move the lens with your hands, to avoid any malfunction or even damage.
- Please do not touch the glass surface of camera lens with your hands or other objects, otherwise it may stain or damage the lens and affect the imaging effect of the camera.

Your device

What's in the box



Overview

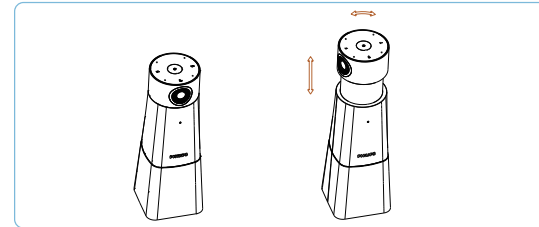


- 01 Volume- key
- 02 Power key
- 03 Microphone
- 04 Volume- key
- 05 Mute key
- 06 Camera
- 07 Status indicator
- 08 Reset key
- 09 Power socket
- 10 Power indicator
- 11 Type-c interface

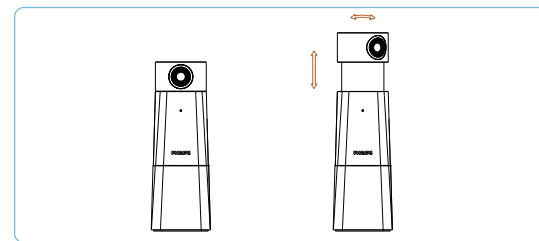
Settings

Usage of camera

The camera can move up and down (vertical) or rotate (horizontal):



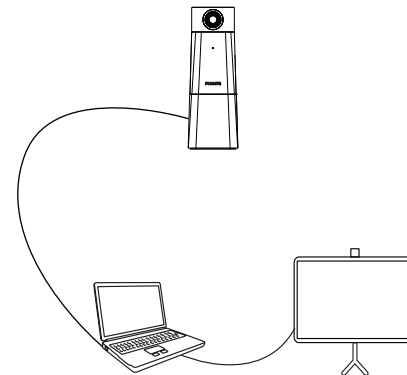
The camera can be adjusted to the appropriate position according:



Attention

- In order to ensure the performance of the equipment, please do not block the microphone, or place the equipment in between barriers; otherwise, it will affect the performance of smart sound source positioning.
- The infrared remote-control receiving window should not be blocked by objects; otherwise, the remote control may not work normally.
- It is recommended to use Windows 7/Android 7.1 operating system or later versions. Prior versions may require an universal USB driver, and the compatibility may be poor, which will affect the performance of PSE0550.
- PSE0550 can preset up to 3 positions; when the number button on the remote control is short pressed, the camera will turn to the pre-set positions.

Extended use



Reminder

- To get the Smart Meeting software, please download: download.szgps.net/SmartMeeting/SmartMeeting.exe
- To know more about operations, please visit: <http://www.jwd-dvr.com/service/download.html>

Service

Service

GUARANTEE

This guarantee card is valid in china

This guarantee card should berained by The USER

此保用卡在中国适用，用户请保留此卡。



This product is made of high quality material and great care has been taken in its manufacture. It is designed to give good performance provided it is properly operated and maintained. The product is sold subject to the understanding that if any defect in manufacture or material shall appear within 12 months, the warranty period is subject to country Consumer Law, Jingwah Digital Service will arrange for such defect to be rectified without change under the following warranty items and conditions.

Warranty Terms and Conditions:

The defect is not due to use of the product for other than domestic purposes, or an incorrect voltage, or use of improper accessories, or contrary to operating instructions, or to accidental damage(whether in transit or otherwise), misuse, neglect or inexact repair, or incorrect installation, or the product is excessively used for improper purposes other than daily consumption, or accessories belonging to the product, transportation.

Present this warranty card and sales invoice when demanding service from Philips authorized service centres.

User's Name: 用户姓名	Model No: 型号
Address: 地址	Serial No: 机身编号
Tel.No: 电话	Product Place: 产地
Post Code: 邮编	
Company Seal: 购买商品印章	Shop name and address: 购买商名称及地址
Date of Purchase: 购买日期	Invoice No: 发票号
	Tel.No/Post Code: 电话/邮编

Product Service Hotline: 400 800 7890



Specifications subject to change without notice.

Trade marks are the property of Royal Philips or their respective owners.

© 2021 Speech Processing Solutions GmbH.All rights reserved.Philips and the Philips' shield

emblem are registered trademarks of Koninklijke Philips N.V.and are used by Speech

Processing Solutions GmbH under license from Koninklijke Philips N.V.All trademarks are the

property of their respective owners.

Document version 1.0,2021-5-24